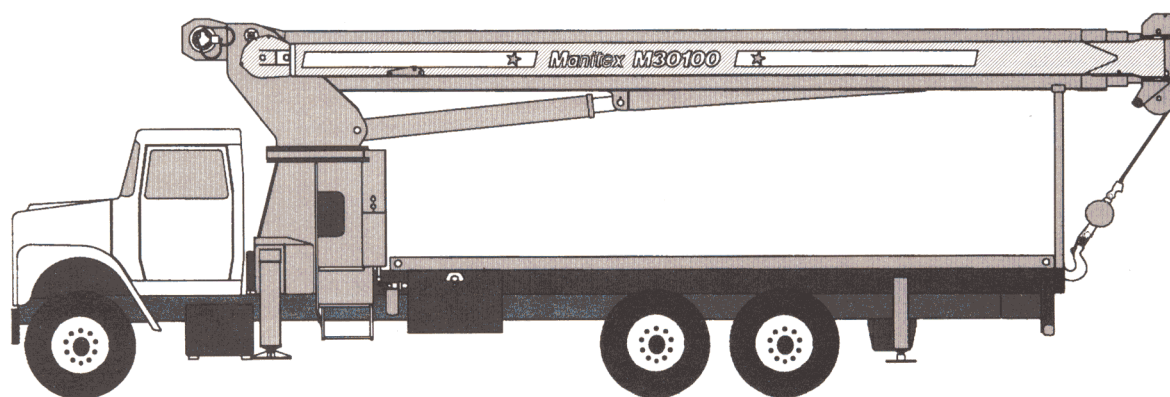




Millennium Series™ M3000 General Specifications

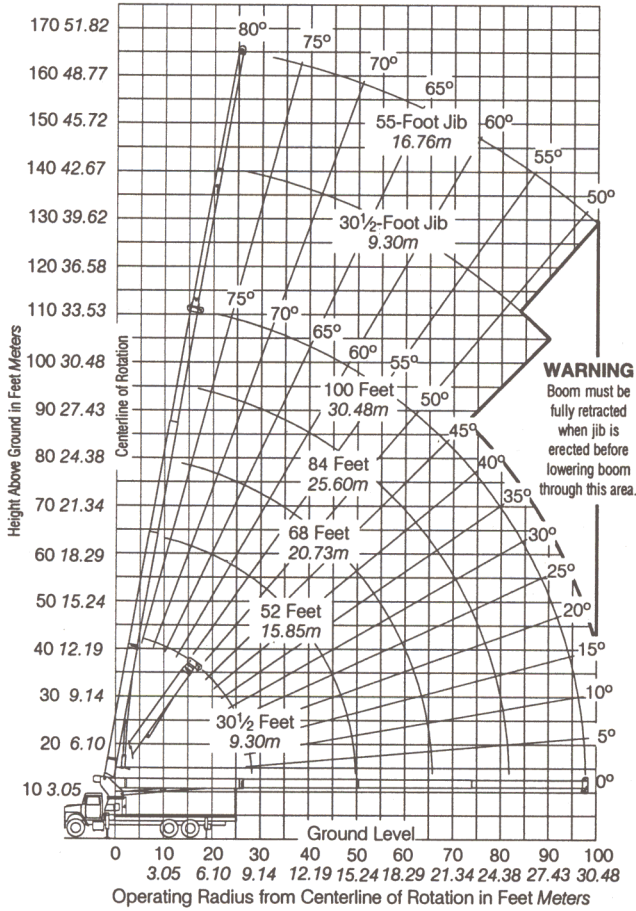


STANDARD EQUIPMENT

- **M30100** - 4-Section telescopic boom
30'6" to 100' (9.30m to 30.48m).
- **M3077** - 3-Section telescopic boom
30'6" to 77' (9.30m to 23.47m).
- 2-Speed planetary hoist.
- 5-Ton (4.5-mt) hook and ball.
- 3-Sheave boom point.
- Anti-two-block shutoff.
- Boom hoist cylinder.
- System pressure gauge.
- 100-Gallon (379-liter) hydraulic reservoir.
- Removable boom rest.
- Finish paint in Manlitex colors.
- Engine start/stop.
- Operator/service/parts manuals.
- 335' (102.11m) of $\frac{9}{16}$ " (14.3mm) EIPS IWRC wire rope.
- 372° Non-continuous rotation.
- Pedestal, turret, rotation bearing and swing system.
- Dual operator control stations.
- Load moment indicator - audio/visual warning.
- Audible outrigger/stabilizer motion alarm.
- Out-and-down rear stabilizers.
- Out-and-down front outriggers.
- 3-Section vane type hydraulic pump.
- 22' (6.71m) Subframe.
- Signal horn.

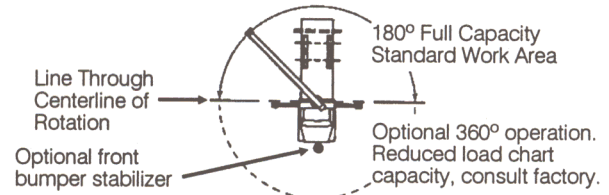


M30100 RANGE DIAGRAM



MODEL M30100

AREA OF OPERATION



ALLOWABLE LINE PULL						WARNING
1 PART LINE	2 PART LINE	3 PART LINE	4 PART LINE	5 PART LINE	6 PART LINE	
						ANTI-TWO BLOCK SYSTEM MUST BE IN GOOD OPERATING CONDITION BEFORE OPERATING CRANE. REFER TO OWNER'S MANUAL. KEEP AT LEAST 3 WRAPS OF LOAD LINE ON DRUM AT ALL TIMES.
9600 lb 4354 kg	19200 lb 8709 kg	28800 lb 13063 kg	38400 lb 17418 kg	48000 lb 21772 kg	57600 lb 26127 kg	
9080 lb 4119 kg	18160 lb 8237 kg	27240 lb 12356 kg	36320 lb 16474 kg	45400 lb 20593 kg	54480 lb 24712 kg	
10000 lb 4536 kg	20000 lb 9072 kg	30000 lb 13608 kg	40000 lb 18144 kg	50000 lb 22680 kg	60000 lb 27216 kg	5/8" (15.9mm) Rotation resistant (5.0:1 SF), 45400 lb (20593 kg) Minimum breaking strength. 5/8" (15.9mm) 6x25 EIPS IWRC (3.5:1 SF), 35000 lb (15876 kg) Minimum breaking strength.

WEIGHTS

Total crane, including hydraulic fluid.....	27,000 lb	12,247 kg
30'6" (9.30m) Fixed length jib.....	1,120 lb	508 kg
55' (16.76m) Telescopic jib.....	1,700 lb	771 kg
15-Ton (13.6-mt) single-sheave block.....	430 lb	195 kg
30-Ton (27.2-mt) triple-sheave block.....	450 lb	204 kg
Hanger sheave for 5- and 6-part line.....	50 lb	23 kg
22'4" (6.81m) Steel or wood bed.....	2,000 lb	907 kg

DEDUCTIONS

Hanger Sheave.....	50 lb	23 kg
Overhaul Ball.....	180 lb	82 kg
Single-Sheave Load Block.....	430 lb	195 kg
Triple-Sheave Load Block.....	450 lb	204 kg

Hose Reel.....	260 lb	118 kg
Swing-Around Jib.....	See Load Rating Chart	
WARNING Lifting off the main boom point while the swing-around jib is erected is not intended or approved.		

Outriggers and stabilizers fully extended and machine level.

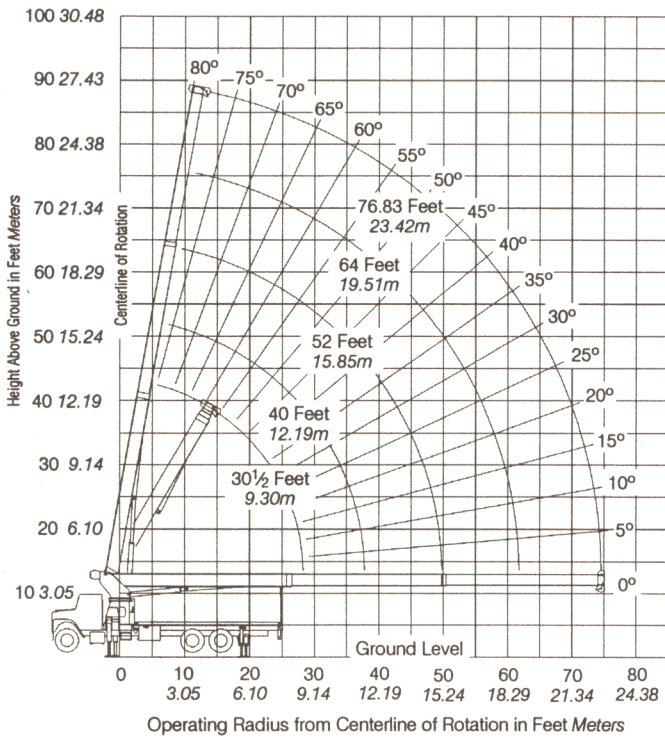
M30100 LOAD RATING CHART

Meets ANSI B30.5 Requirements.

Operating Radius	BOOM LOAD RATINGS										JIB LOAD RATINGS											
	30.5 Feet 9.30 Meters		52 Feet 15.85 Meters		68 Feet 20.73 Meters		84 Feet 25.60 Meters		100 Feet 30.48 Meters		30.5 Foot 9.30 Meters			30.5 Foot 9.30 Meters			55 Foot 16.76 Meters					
	Feet	Meters	∠	lb	kg	∠	lb	kg	∠	lb	kg	∠	lb	kg	∠	lb	kg	∠	lb	kg		
5.5	1.68	80°	60,000	27,216							<i>Fixed Jib</i>			<i>Telescopic Jib</i>								
8	2.44	75°	45,200	20,502																		
10	3.05	71°	38,700	17,554																		
12	3.66	67°	33,800	15,331	78°	27,100	12,292															
15	4.58	61°	28,600	12,973	74°	25,200	11,431	79°	23,300	10,569												
20	6.10	48°	22,500	10,206	68°	19,800	8,987	74°	18,320	8,310	78°	17,040	7,729	80°	14,000	6,350						
25	7.62	32°	16,970	7,697	62°	16,220	7,357	70°	14,940	6,777	74°	13,940	6,323	78°	12,260	5,561						
30	9.14				55°	13,660	6,196	65°	12,580	5,706	71°	11,650	5,284	75°	10,680	4,844	79°	6,700	3,039	79°	6,400	2,903
35	10.67				48°	11,140	5,053	60°	10,850	4,921	67°	10,050	4,559	72°	9,280	4,209	76°	6,200	2,812	76°	5,850	2,654
40	12.19				39°	8,650	3,924	55°	8,790	3,987	63°	8,700	3,946	69°	8,110	3,679	74°	5,630	2,554	74°	5,250	2,381
45	13.72				28°	6,750	3,062	49°	6,910	3,134	59°	7,030	3,189	65°	7,080	3,211	72°	5,060	2,295	72°	4,670	2,118
50	15.24							43°	5,500	2,495	55°	5,630	2,554	62°	5,700	2,585	70°	4,560	2,068	70°	4,160	1,887
55	16.76							36°	4,400	1,996	50°	4,530	2,055	59°	4,610	2,091	67°	4,130	1,873	67°	3,710	1,683
60	18.29							27°	3,530	1,601	46°	3,650	1,656	55°	3,740	1,696	65°	3,730	1,692	65°	3,300	1,497
65	19.81							12°	2,790	1,266	40°	2,950	1,338	51°	3,030	1,374	63°	3,300	1,497	63°	2,860	1,297
70	21.34										34°	2,350	1,066	47°	2,440	1,107	60°	2,710	1,229	60°	2,300	1,043
75	22.86										27°	1,850	839	43°	1,940	880	57°	2,200	998	57°	1,800	816
80	24.38										15°	1,410	640	38°	1,510	685	55°	1,760	798	55°	1,370	621
85	25.91													33°	1,130	513	52°	1,390	630	52°	990	449
90	27.43													26°	800	363	49°	1,060	481	49°	660	299
95	28.96																46°	770	349			
100	30.48																					
			Do not operate a Manitex truck-mounted crane or accessories within 10' (3.05m) of live power lines.																			
			600	272	350	159	270	122	220	100	180	82	Deduction for stowed fixed jib									
			900	408	530	240	400	181	330	150	290	132	Deduction for stowed telescopic jib									

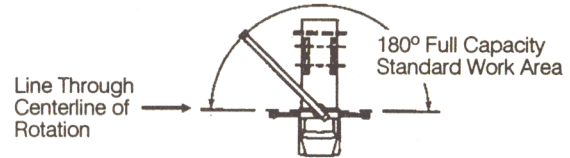


M3077 RANGE DIAGRAM



MODEL M3077

AREA OF OPERATION



ALLOWABLE LINE PULL						WARNING
1 PART LINE	2 PART LINE	3 PART LINE	4 PART LINE	5 PART LINE	6 PART LINE	
						ANTI-TWO BLOCK SYSTEM MUST BE IN GOOD OPERATING CONDITION BEFORE OPERATING CRANE. REFER TO OWNER'S MANUAL. KEEP AT LEAST 3 WRAPS OF LOAD LINE ON DRUM AT ALL TIMES.
9600 lb 4354 kg	19200 lb 8709 kg	28800 lb 13063 kg	38400 lb 17418 kg	48000 lb 21772 kg	57600 lb 26127 kg	
9080 lb 4119 kg	18160 lb 8237 kg	27240 lb 12356 kg	36320 lb 16474 kg	45400 lb 20593 kg	54480 lb 24712 kg	
10000 lb 4536 kg	20000 lb 9072 kg	30000 lb 13608 kg	40000 lb 18144 kg	50000 lb 22680 kg	60000 lb 27216 kg	5/8" (15.9mm) 6x25 EIPS IWRC (3.5:1 SF), 33600 lb (15241 kg) Minimum breaking strength. 5/8" (15.9mm) Rotation resistant (5.0:1 SF), 45400 lb (20593 kg) Minimum breaking strength. 5/8" (15.9mm) 6x25 EIPS IWRC (3.5:1 SF), 35000 lb (15876 kg) Minimum breaking strength.

WEIGHTS

Total crane, including hydraulic fluid.....24,097 lb... 10,930 kg
 15-Ton (13.6-mt) single-sheave block.....430 lb..... 195 kg
 30-Ton (27.2-mt) triple-sheave block450 lb..... 204 kg

Hanger sheave for 5- and 6-part line 50 lb..... 23 kg
 22'4" (6.81m) Steel or wood bed 2,000 lb..... 907 kg

DEDUCTIONS

Hanger Sheave 50 lb 23 kg
 Overhaul Ball 180 lb 82 kg
 Single-Sheave Load Block..... 430 lb 195 kg
 Triple-Sheave Load Block..... 450 lb 204 kg

Hose Reel.....260 lb..... 118 kg

WARNING Lifting off the main boom point while the swing-around jib is erected is not intended or approved.

Outriggers and stabilizers fully extended and machine level.

M3077 LOAD RATING CHART

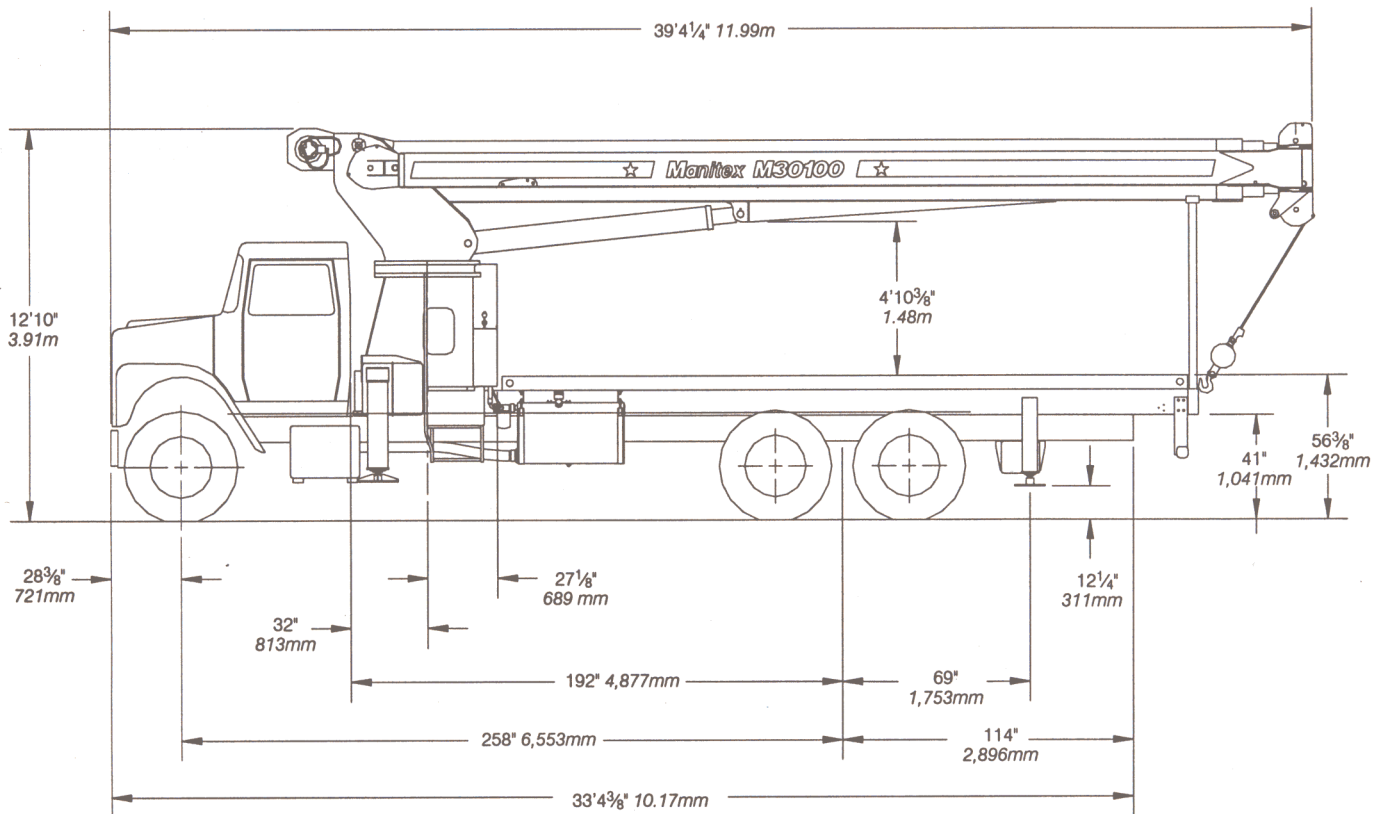
Meets ANSI B30.5 Requirements.

Operating Radius		BOOM LOAD RATINGS												
Feet	Meters	30.5 Feet 9.30 Meters		40 Feet 12.19 Meters		52 Feet 15.85 Meters		64 Feet 19.51 Meters		76.83 Feet 23.42 Meters				
		lb	kg	lb	kg	lb	kg	lb	kg	lb	kg	lb	kg	
5.5	1.68	80°	60,000	27,216										
8	2.44	75°	46,360	21,024	79°	43,960	19,940							
10	3.05	71°	39,810	18,058	76°	37,550	17,032	80°	35,150	15,944				
12	3.66	67°	34,930	15,844	73°	32,800	14,878	78°	30,650	13,903	80°	28,910	13,113	
15	4.58	61°	29,690	13,467	69°	27,740	12,583	74°	25,940	11,766	78°	24,250	11,000	
20	6.10	48°	23,400	10,614	60°	22,080	10,015	68°	20,500	9,299	73°	19,250	8,732	
25	7.62	32°	17,930	8,133	51°	18,170	8,242	62°	17,040	7,729	68°	15,890	7,208	
30	9.14				40°	14,500	6,577	55°	14,500	6,577	63°	13,510	6,128	
35	10.67				26°	11,020	4,999	48°	11,170	5,067	58°	11,260	5,107	
40	12.19							39°	8,680	3,937	52°	8,760	3,973	
45	13.72							28°	6,920	3,139	46°	7,000	3,175	
50	15.24										39°	5,680	2,576	
55	16.76										30°	4,660	2,114	
60	18.29										17°	3,850	1,746	
65	19.81													
70	21.34											32°	3,220	1,461
												23°	2,670	1,211

Do not operate a Manitex truck-mounted crane or accessories within 10' (3.05m) of live power lines.



M3000 OUTLINE DIMENSIONS



These dimensions are general, not for Engineering. Some dimensions depend on truck selection. Dimensions shown on this page apply to both the M30100 and the M3077 models.

TRUCK CHASSIS DATA

Minimum Requirements for M3000 Series.

Some configurations and options may increase requirements.

Wheelbase	258 In.	6,553mm
Cab to Axle	192 In.	4,877mm
Frame Section Modulus.....	110,000 psj	758,450 kPa
	25.0 In ³	410cc
Nominal Frame Width	34 In.	864mm
Front Axle Gross Weight Rating	18,000 lb	8,165 kg
Rear Axle Gross Weight Rating	38,000 lb	17,237 kg

